

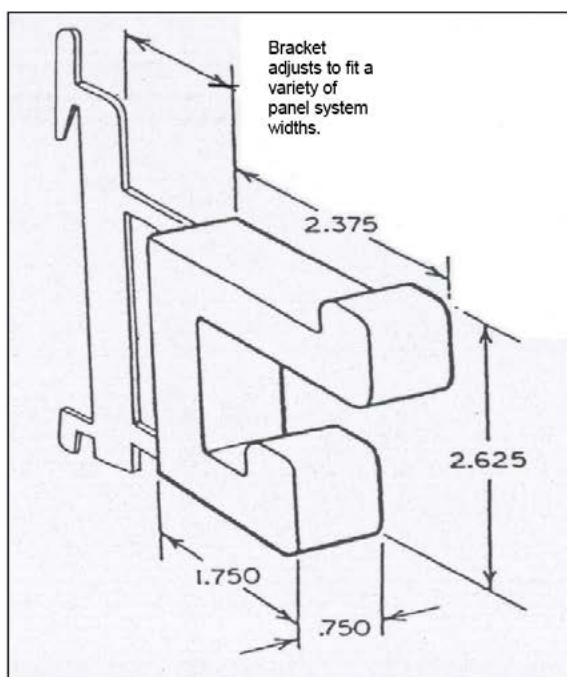
Panel Mounted Coat Hook Installation Instruction



McSort Panel Mounted Coat Hook #3069XXX

Allows you to easily mount a Coat Hook to the slots on the edge of your panel system

General Overall Dimensions



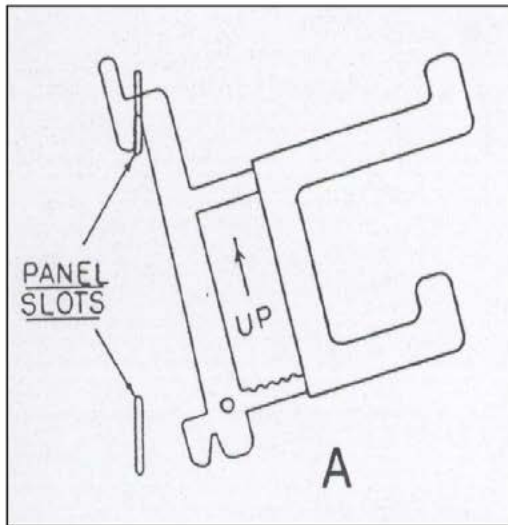
PLEASE NOTE:

These Panel Mounted Coat Hooks were designed to fit most standard Panel Systems, however we suggest that you contact Customer Service with your Panel System Make & Series to ensure bracket suitability.

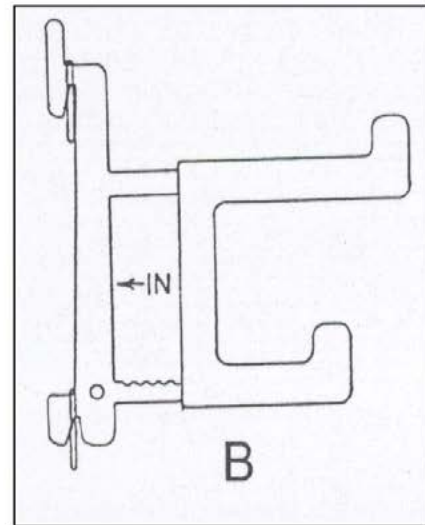


Bracket Installation Steps:

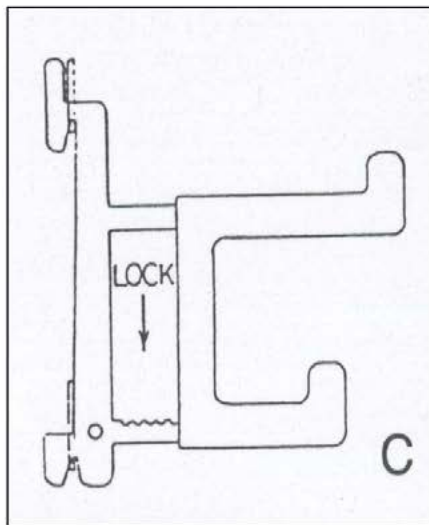
(Reverse this procedure to uninstall and/or move the bracket to a new location.)



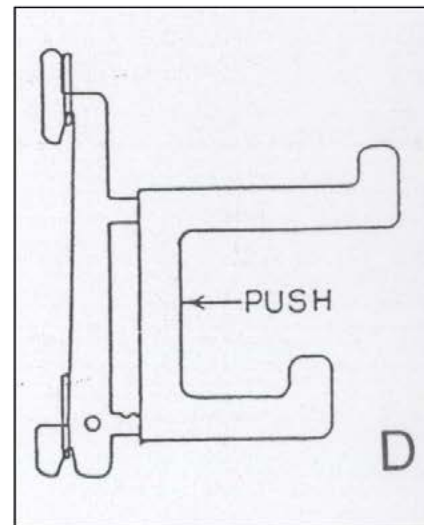
A.) Locate panel slots on edge of panel. Insert top of bracket.



B.) Push bottom of bracket into corresponding slot.



C.) Lock bracket into place by pushing down.



D.) Push hook as shown until it makes contact with the panel.

MATERIAL: Bracket - .090 Cold Rolled Steel; Hook
- ABS Impact-Resistant Plastic
WEIGHT: Approximately 2 oz.
VOLUME: Approximately 12 cu. In.
PACKAGING: Plastic Bag